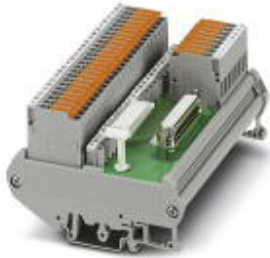


Interface module - FLKM-D25 SUB/B/KDS3-MT/TU810/P - 2304539

Please be informed that the data shown in this PDF Document is generated from our Online Catalog. Please find the complete data in the user's documentation. Our General Terms of Use for Downloads are valid (<http://phoenixcontact.com/download>)




VARIOFACE module for ABB S800 I/O, with knife disconnect terminal blocks and specific marking (+1, B1, C1, +2, B2, C2, ... +8, B8, C8)

Your advantages

- ✓ Eight positive terminal blocks with knife disconnection (TU810/P)
- ✓ Eight negative terminal blocks with knife disconnection (TU810)
- ✓ One positive and negative terminal block with knife disconnection per channel (TU830)

Key Commercial Data

Packing unit	1 pc
GTIN	 4 017918 949129
GTIN	4017918949129
Weight per Piece (excluding packing)	331.600 g
Custom tariff number	85369010
Country of origin	Germany

Technical data

Dimensions

Width	126 mm
Height	90 mm
Depth	60 mm

Ambient conditions

Ambient temperature (operation)	-20 °C ... 50 °C
Ambient temperature (storage/transport)	-20 °C ... 70 °C

Interface module - FLKM-D25 SUB/B/KDS3-MT/TU810/P - 2304539

Technical data

Ambient conditions

Degree of protection	IP00
----------------------	------

General

Nominal voltage U _N	25 V AC
	60 V DC
Max. perm. current (per branch)	2 A
Max. permissible current (separate power supply)	4 A (8 A L1+/L2+)
Number of positions	25
Status display	No
Mounting position	any
Assembly instructions	In rows with zero spacing

Connection data

Connection name	Field level
Connection method	Screw connection with disconnect knife
Stripping length	8 mm
Screw thread	M3
Conductor cross section solid	0.2 mm ² ... 4 mm ²
Conductor cross section flexible	0.2 mm ² ... 2.5 mm ²
Conductor cross section AWG	24 ... 12

Connection data 2

Connection name	Controller level
Connection method	D-SUB socket strip
Number of connections	1
Number of positions	25

Supported controller

Controller	ABB S800 I/O
- suitable I/O card	DI810
	DI811
	DI818
	DI830
	DI831
	DI840
	DI885
	DO814
	DO818
	AI810

Interface module - FLKM-D25 SUB/B/KDS3-MT/TU810/P - 2304539

Technical data

Supported controller

	AI815
	AI845

Standards and Regulations

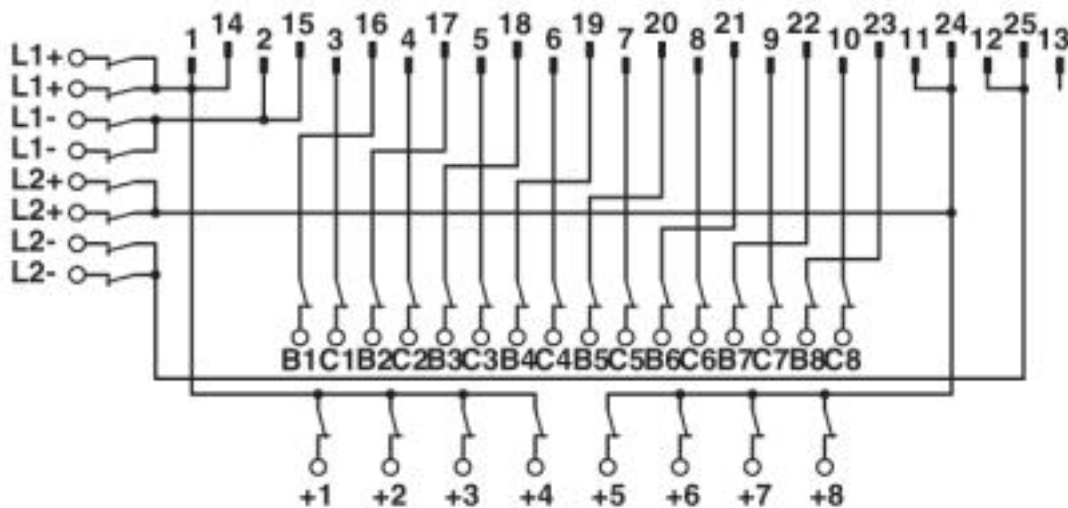
Standards/regulations	DIN EN 50178
	IEC 60664
Rated insulation voltage	63 V
Rated surge voltage	0.6 kV (Functional insulation)
Pollution degree	2
Overvoltage category	II

Environmental Product Compliance

REACH SVHC	Lead 7439-92-1
China RoHS	Environmentally Friendly Use Period = 50
	For details about hazardous substances go to tab "Downloads", Category "Manufacturer's declaration"

Drawings

Circuit diagram



FLKM-D25 SUB/B/KDS3-MT/TU810/P connection scheme

Interface module - FLKM-D25 SUB/B/KDS3-MT/TU810/P - 2304539

Classifications

eCl@ss

eCl@ss 4.0	27250300
eCl@ss 4.1	27250300
eCl@ss 5.0	27250300
eCl@ss 5.1	27250300
eCl@ss 6.0	27242600
eCl@ss 7.0	27141152
eCl@ss 8.0	27141152
eCl@ss 9.0	27141152

ETIM

ETIM 5.0	EC002780
ETIM 6.0	EC002780
ETIM 7.0	EC002780

UNSPSC

UNSPSC 6.01	30211824
UNSPSC 7.0901	39121421
UNSPSC 11	39121421
UNSPSC 12.01	39121421
UNSPSC 13.2	39121432

Approvals

Approvals

Approvals

EAC

Ex Approvals

Approval details

EAC		RU C- DE.A*30.B.01742
-----	---	--------------------------
